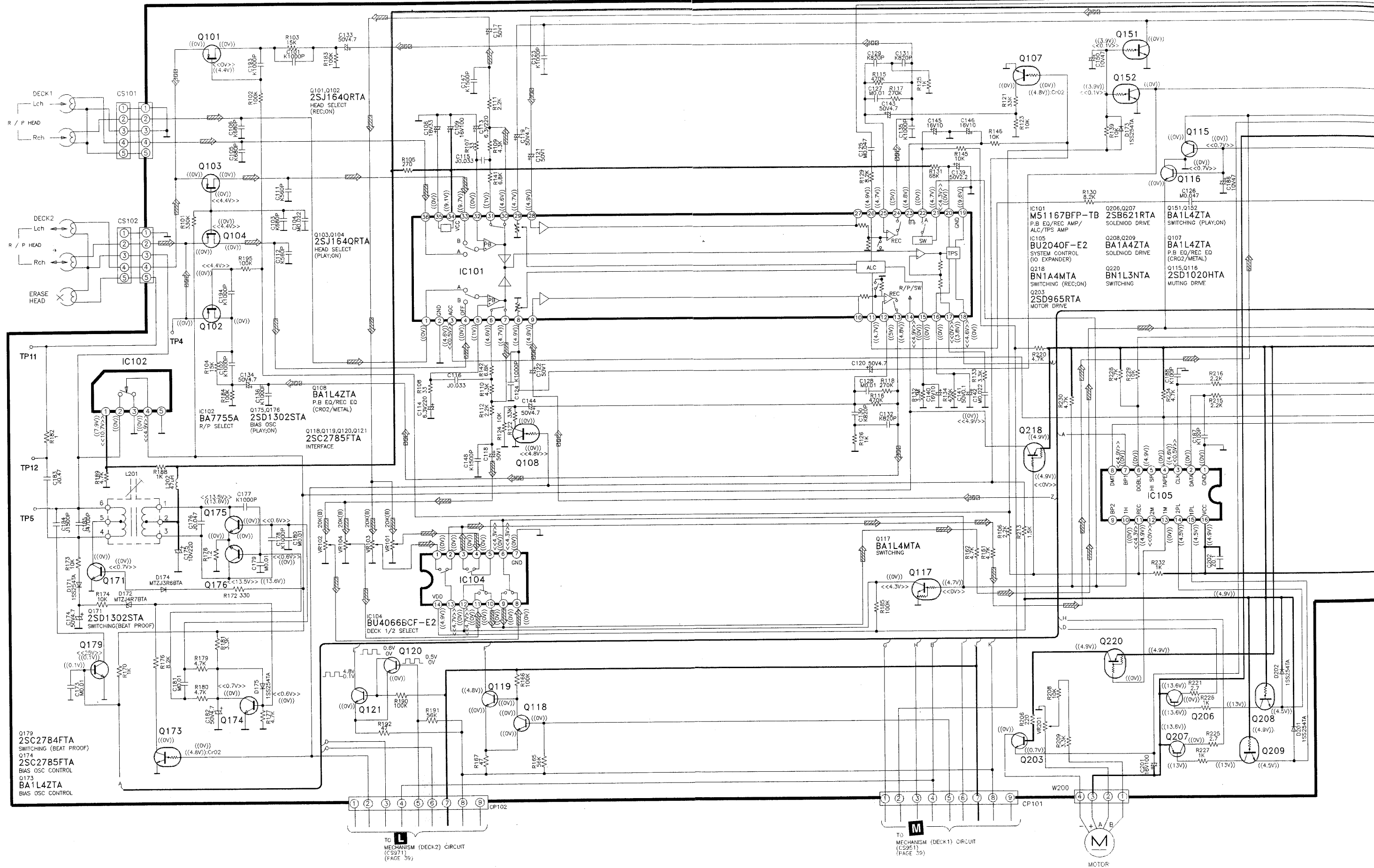
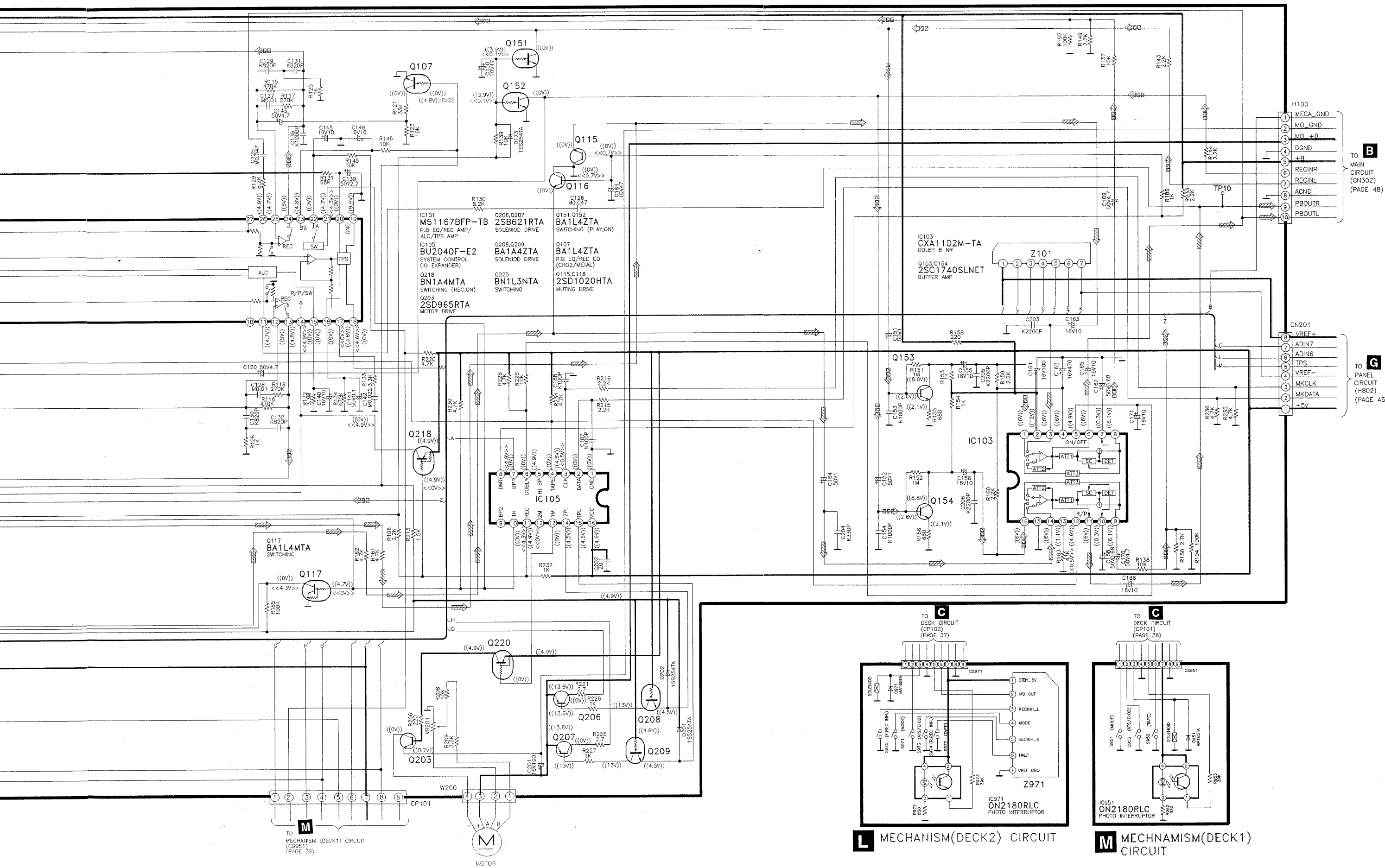


C DECK CIRCUIT

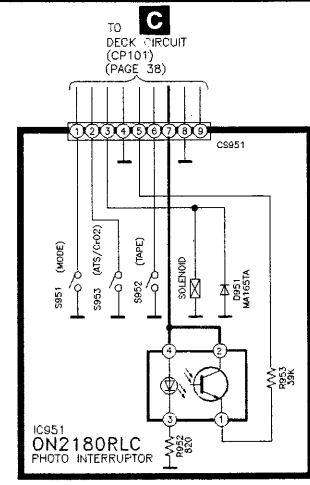
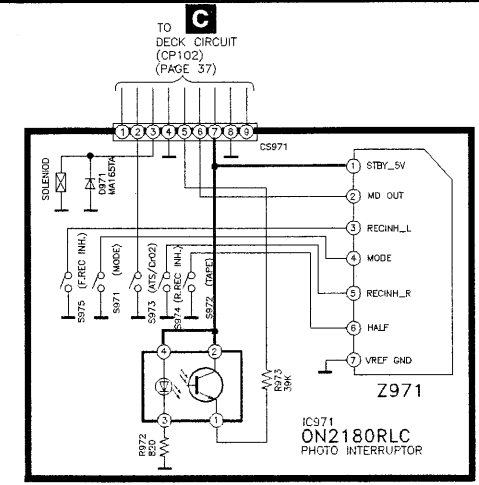




B
TO MAIN
CIRCUIT
(CN302)
(PAGE 48)

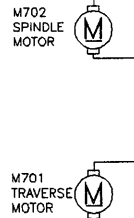
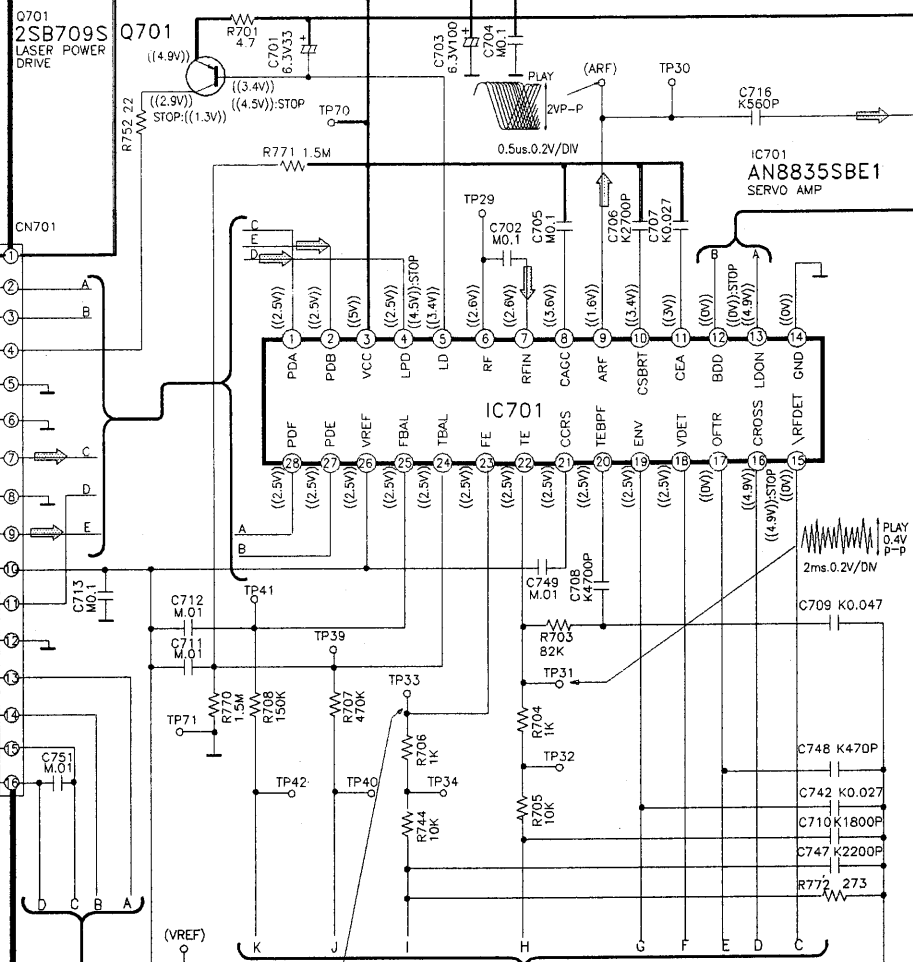
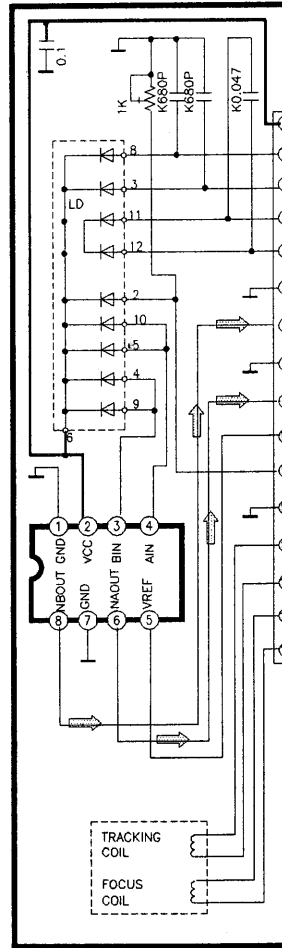
G
TO PANEL
CIRCUIT
(H802)
(PAGE 45)

M
TO MECHANISM (DECK1) CIRCUIT
(CS951)
(PAGE 39)

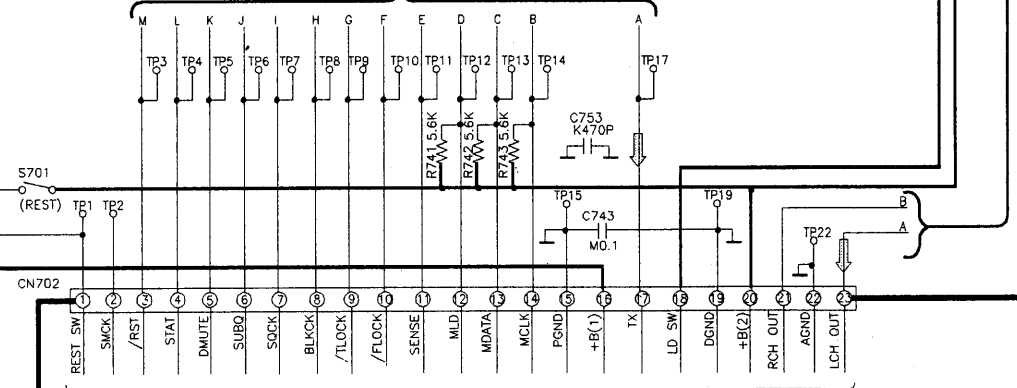
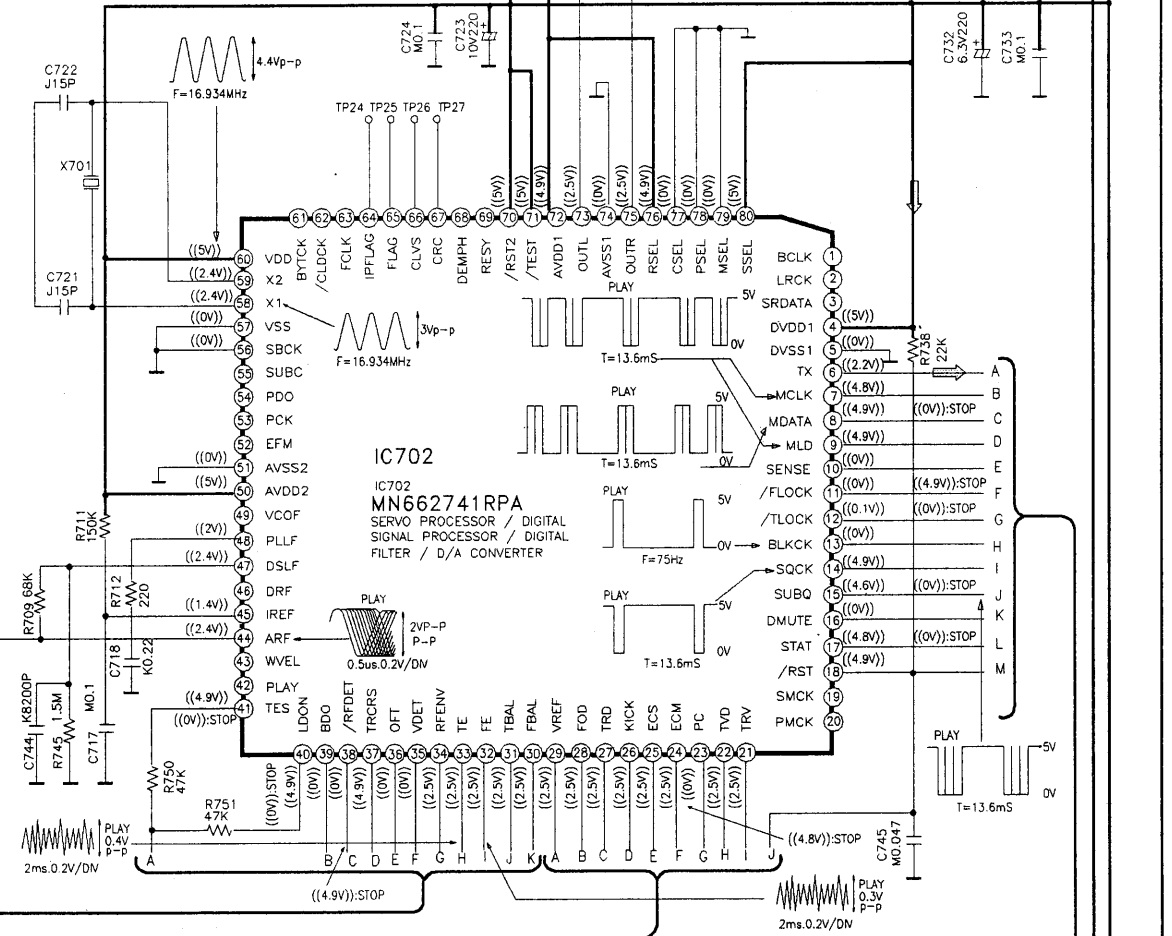
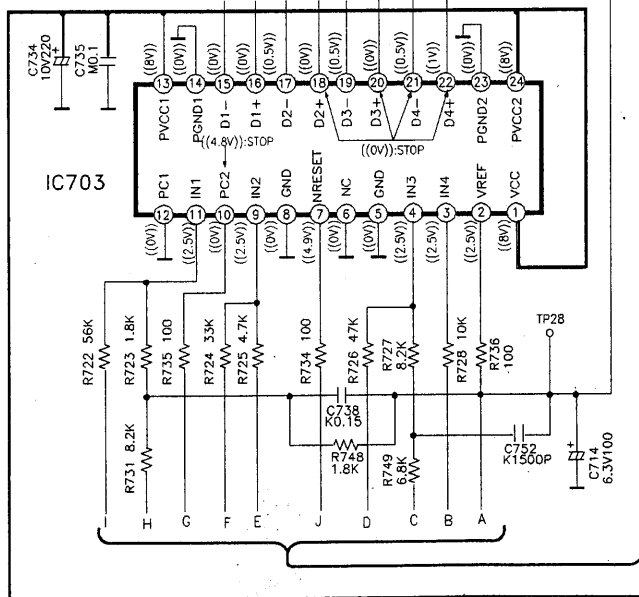


A SERVO CIRCUIT

OPTICAL PICKUP

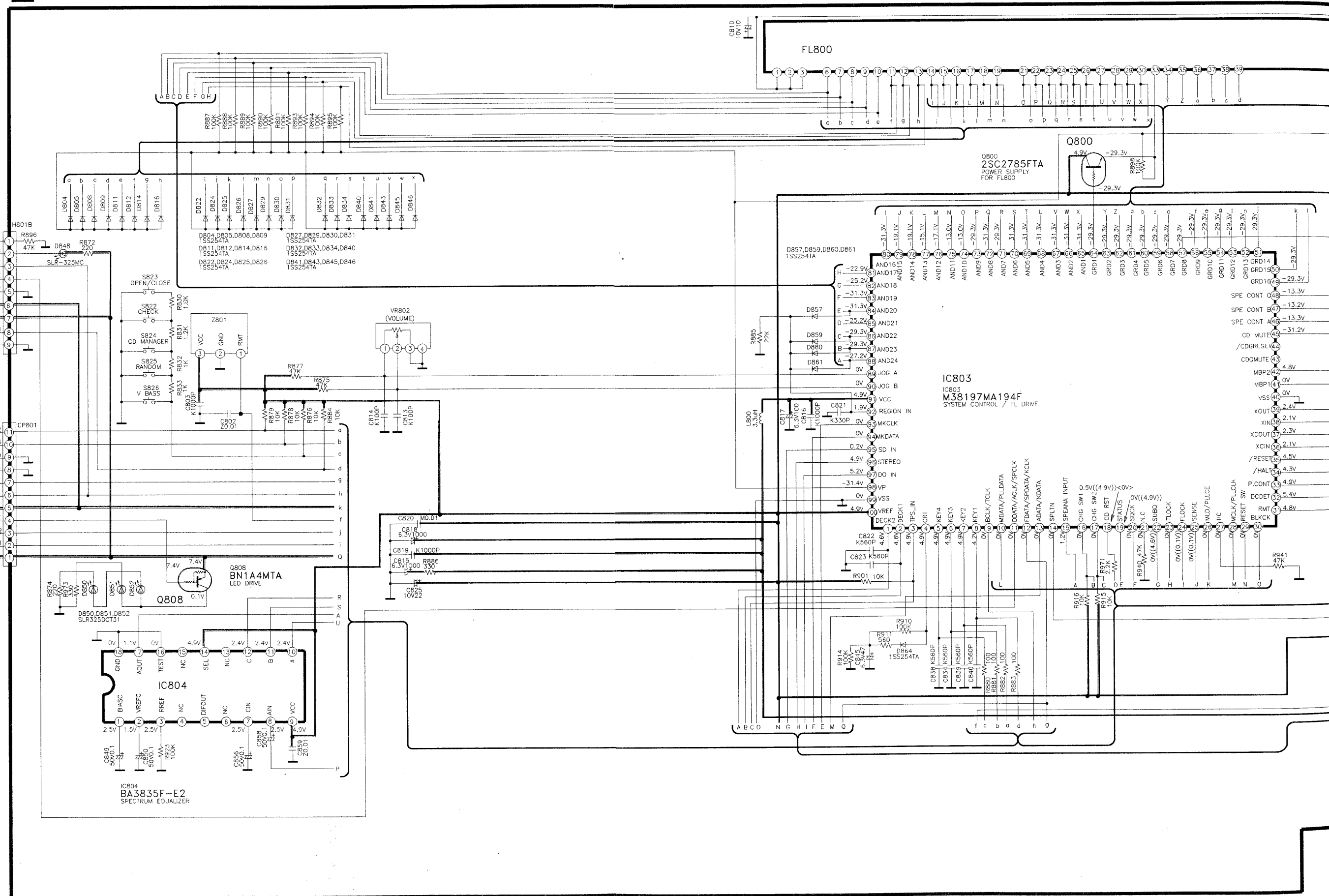


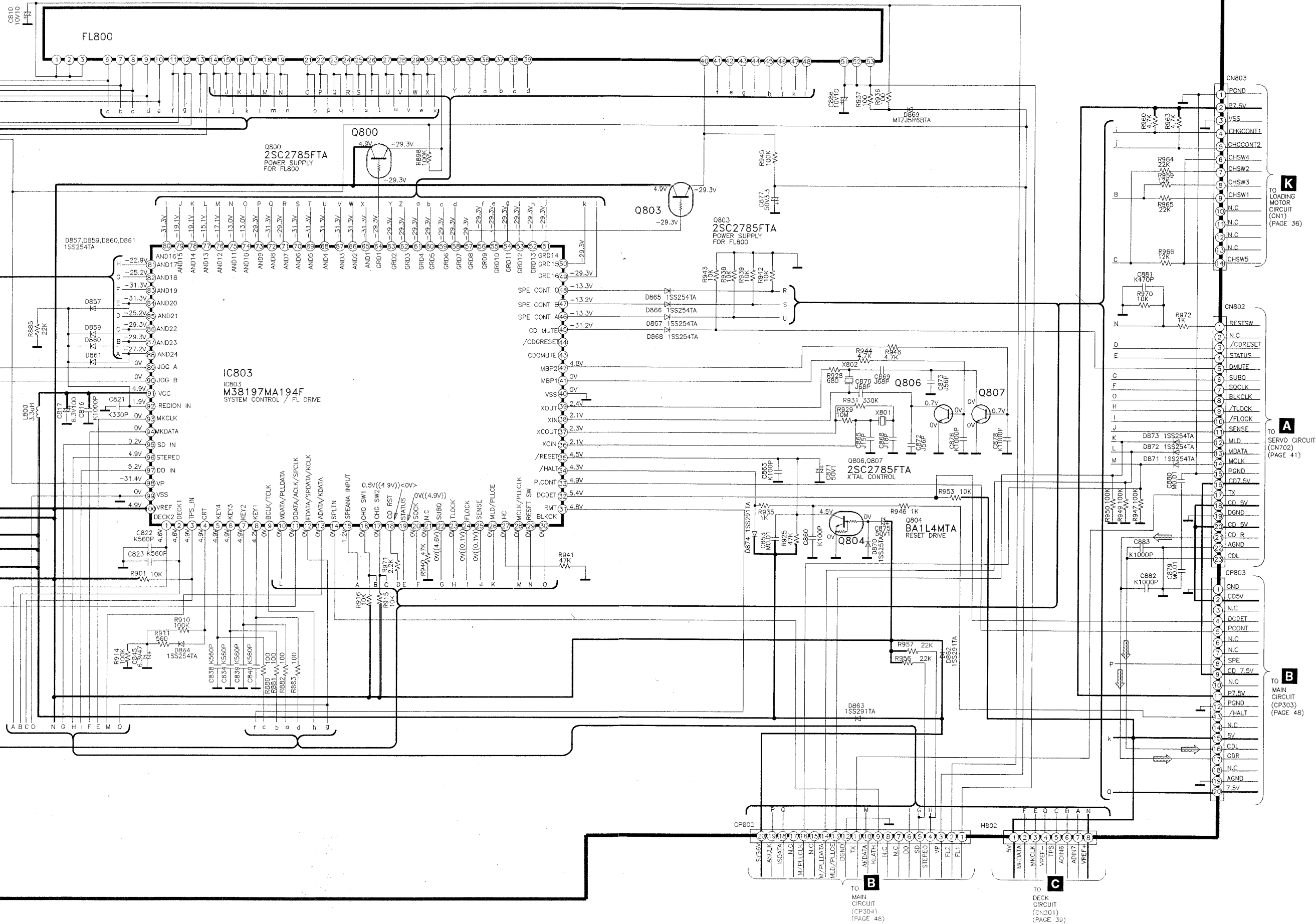
IC703 AN8389SE1 FOCUS COIL / TRACKING COIL / TRAVERSE MOTOR / SPINDLE MOTOR DRIVE



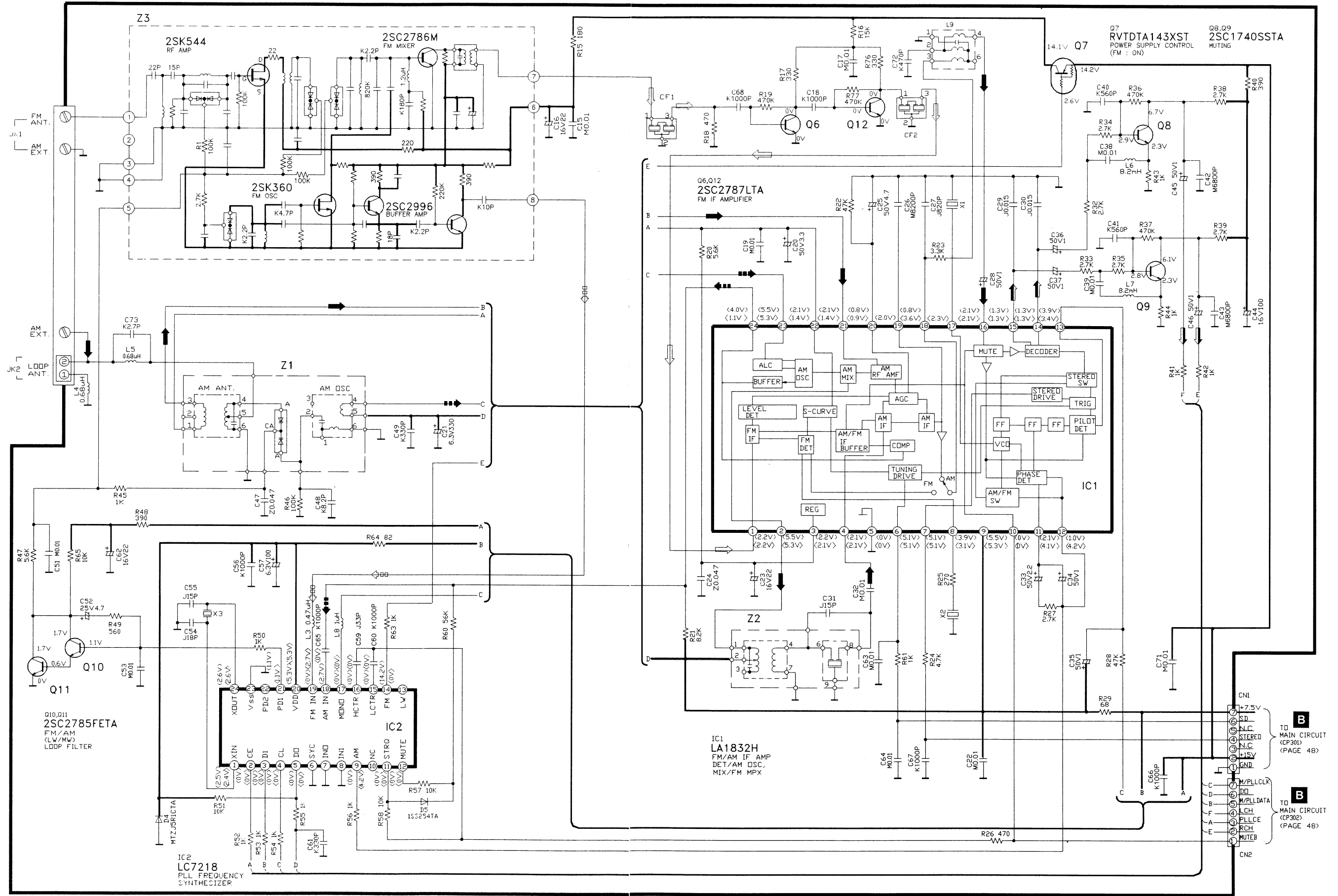
To **G** PANEL CIRCUIT (CN802) (PAGE 45)

G PANEL CIRCUIT





H TUNER CIRCUIT



B MAIN CIRCUIT

H
TO TUNER
CIRCUIT
(CN1)
(PAGE 47)

H
TO TUNER
CIRCUIT
(CN2)
(PAGE 47)

C
TO DECK
CIRCUIT
(H100)
(PAGE 39)

G
TO PANEL
CIRCUIT
(CP803)
(PAGE 45)

G
TO PANEL
CIRCUIT
(CP802)
(PAGE 45)

